

PRIMULA[®] S.A.

IRONING PRESSING MACHINERIES - FUSING PRESSES

Instruction Manual

Tailor



CE

TABLE OF CONTENTS

<u>1. ATTENTION!!!</u>	3
<u>2. Technical Details</u>	4
2.1 Identification Data.....	4
2.2 Use of the instruction Manual.....	4
2.3 Technical Characteristics.....	4
2.4 Technical Description.....	4
<u>3. General rules and Warnings</u>	5
3.1 General rules of using the Ironing Table.....	5
3.2 Warning marks placed on the Ironing Table.....	5
<u>4. Electrical Connection</u>	6
<u>5. Activation Instructions</u>	6
<u>6. How to change the working surface from DOB to FL surface and vice versa</u>	7
<u>7. Additional Instructions</u>	7
<u>8. Maintenance</u>	8
<u>Images of the spare parts</u>	9
<u>List of spare parts</u>	10
<u>Wiring Diagram</u>	11
<u>TECHNICAL ASSISTANT</u>	12

1. ATTENTION!!!

Please read this instruction manual very carefully before you start using your Ironing table.

The customer by purchasing this product declares that he is fully aware, and accepts everything mentioned in this operating manual.

Primula S.A. assumes neither responsibility for any errors herein, nor for incidental nor for resulting damage in connection with the performance or use of this operating manual.

You may not copy, reproduce, or translate this operating manual, or parts of it, to another language without prior written consent of Primula S.A.

Any information in this manual may be subject to change without any prior notice.

CAUTION! PLEASE READ CAREFULLY THE INSTRUCTION MANUAL BEFORE INSTALLING THE IRONING TABLE!!!

1st edition – July 2017

© Primula S.A. 2017

Company name: Primula S.A

Address: 14th km Thessaloniki – Kilkis,

57200 Liti, Thessaloniki, Greece

Industry: Manufacturing of Ironing, Pressing and Finishing Equipment

Telephone: +30 23940 71215

Fax: +30 23940 71438

Web: www.primula.gr

E-mail: info@primula.gr

2. Technical Details

2.1 Identification Data

The Ironing Table, that you have purchased, is a machine of high advanced technology with many advantages, unique in its kind. It is manufactured according to International and European safety standards by a company with experience, since 1969, in this sector. Congratulations for your choice!

Regarding its characteristics, the Ironing Table includes a serial number plate (see below) where all its specifications are displayed. Every warning and symbol that is placed on the Ironing Table is in accordance with the specifications of the European standards.

The serial number plate has been placed in a visible place on the Ironing Table and is made from fadeless material.

Amongst others, the Serial Number plate displays the following:

- Company Logo
- Manufacturer Information
- Model
- Serial Number
- Rated Voltage of Use
- Rated Frequency of Use
- Year of manufacturing
- Accumulated Installed Wattage

			
14 th km National Road of Thessaloniki – Kilkis, P.O.Box 2006 - GR 57200 TEL. 0030 23940 71215 FAX: 0030 23940 71438 www.primula.gr – e-mail: info@primula.gr			
		Made in EUROPE	
Model	Tailor	Year	
Serial No		Power	KW
Frequency	Hz	Voltage	V

Picture 1: Serial Number Sign

2.2 Use of the Instruction Manual

The correct assembly and adjustment of the machine is vital to the safety of the user and the machine's life span. For this reason, the installation, alteration, replacement or extension of the ironing table should only be performed by qualified personnel.

Under no circumstances is interventions allowed in the machine, unless it's for the planned maintenance by an unauthorized engineer.

If you remain uncertain regarding the correct assembly of the machine even after reading the instructions, contact the manufacturer or an authorized representative before starting the operation of the machine.

2.3 Technical Description

Ironing table with heating and suction and blowing.

This unique ironing table can transform itself within 3 minutes. You can have one ironing table with 2 switchable ironing surfaces.

It is ergonomic and runs very silently with a powerful suction and blowing system.

Suitable for workshops, ateliers and domestic use.

Available in models:

TAILOR - Heating and suction

TAILOR S+B - Heating suction and blowing

2.4 Technical Characteristics

Model	Tailor	Tailor S+B
Working surface (DOB)	110x38cm	110x38cm
Working surface (FL)	115x45cm	115x45cm
Height adjustment	85cm	85cm
Heating power	1kW	1kW
Suction power	0.27HP	0.27HP
Blowing power	NO	0.27HP
Power Supply	230V-1ph-50Hz	230V-1ph-50Hz

3. General rules and Warnings

3.1 General rules of using the Ironing Table

For the safe usage of your Ironing Table, please read the following operating instructions carefully, as listed below:

- Install, use and maintain the Ironing Table according to the instructions in this manual. Otherwise, the manufacturer has no responsibility for the possible failed operation or safety.
- Before connecting the power supply, check that the voltage corresponds to the voltage indicated on the technical specifications.
- Connect the machine only to a power supply that meets the minimum required frequency and is properly grounded. Do not leave the Ironing Table while it is operating and is on power without supervision.
- Use the Ironing Table ONLY for the intended purpose in accordance with the current instruction manual and only with the accessories that are provided or that are intended for this specific Ironing Table. The manufacturer is not liable for any damages resulting from misuse or wrong use of the Ironing Table.
- DO NOT touch the power supply with wet hands.
- Do not clean the Ironing Table with corrosive or other damaging materials/chemicals.
- Never use the Ironing Table to support any other machine or structure.
- **It is strictly prohibited to do any kind of welding or alterations on the Ironing Table or its parts.**
- **It is strictly prohibited to remove any protective device/guards.**
- **It is strictly prohibited to intervene in the control units/circuit boards of the Ironing Table.**
- **It is strictly forbidden to do any modification to the technical specifications of the machine (electrical or mechanical) by third persons.**

- Please contact your dealer or the manufacturer for any malfunction or further information requests

3.2 Warning marks placed on the Ironing Table

The following attention marks are placed on each ironing table:



The operator of the system has the obligation to inform himself regarding the dangers which may occur during usage, so that he/she can avoid them or minimize their occurrence as best as he/she is able to.

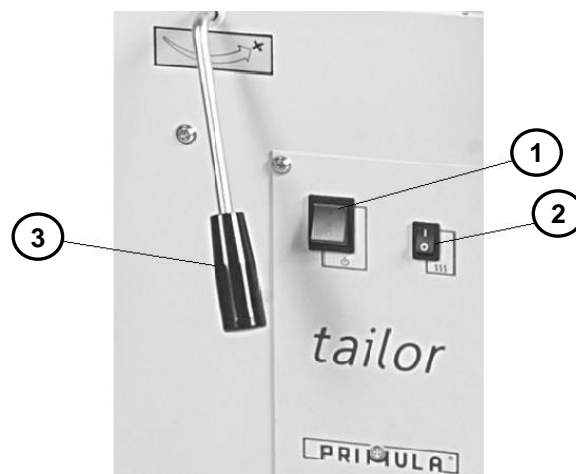
4. Electrical Connection

For the electrical connection and above all for the power supply, please follow carefully the instructions of the wiring diagram (enclosed) as well the warning signs symbols attached on the machine. In case you have purchased a single phase machine 230V, connect the machine to the power into the socket 230V/16A. The connection should be done with 3-phase 3X1,5 mm (1 phase, 1 neutral, 1 grounded). The power should be provided with a fuse 10A.

CAUTION! For your own safety, pay attention to all the warning labels (yellow colored) that are placed on the machine. The manufacturer bears no liability for any damages or accidents due to faulty supplying network or to not specified personnel.

5. Activation Instructions

For the instructions mentioned in the current section please see the **below image (picture 2)**.



Picture 2: Switches placed on Tailor

- Turn on the main switch **No 01**.

- Whenever you want to use the suction just press the foot pedal.
- Adjust the steam quantity of the steam generator in proportion to the suction performance of the table, in order to avoid steam liquidation on the working surface. The refined fabrics require small quantity of steam, while the gross fabrics require big quantity of steam.
- The ironing buck's heating is activated when you press switch **No 02** to position I.

6. How to change the working surface from DOB to FL surface and vice versa.

For the instructions mentioned in the current section please see the **below images (picture 3)**.



Image 1: Disconnect the plug **No 04**

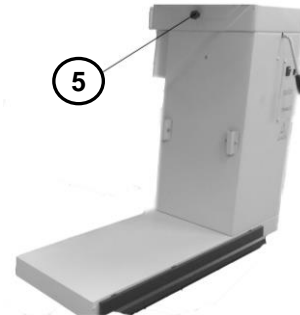


Image 2: Knob **No 05**

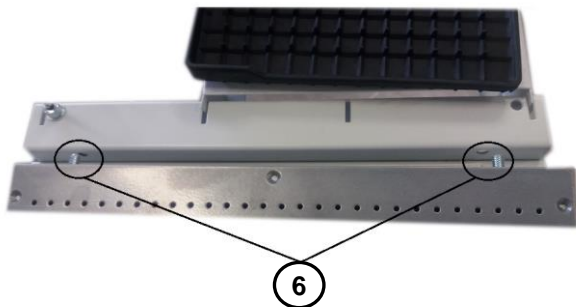


Image 3: Place the surface into the holes **No 06**

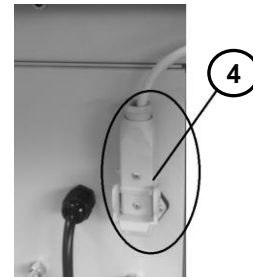


Image 4: Connect the plug **No 04**

Picture 3: Images for explaining the change of the working surface from DOB to FL surface and vice versa:

- Disconnect the plug **No 04 (image 1)**.
- Unscrew the knob **No 05** to the left **(image 2)**.
- Pick up slightly, pull out and remove the placed surface.
- Place the new surface into the suitable holes **No 06 (Image 3)**.
- Screw the knob **No 05** to the right **(image 2)**.
- Connect the plug **No 04 (image 4)**.

7. Additional Instructions

In case the table disposes a Vario iron system (optional):

- Hook the steam iron from the balancer and adjust the distance of the steam iron from the working surface (approximately 5cm). After you have finished ironing, unhook the steam iron from the balancer and put it on the iron rest mat.

In case your table disposes a blowing system of air:

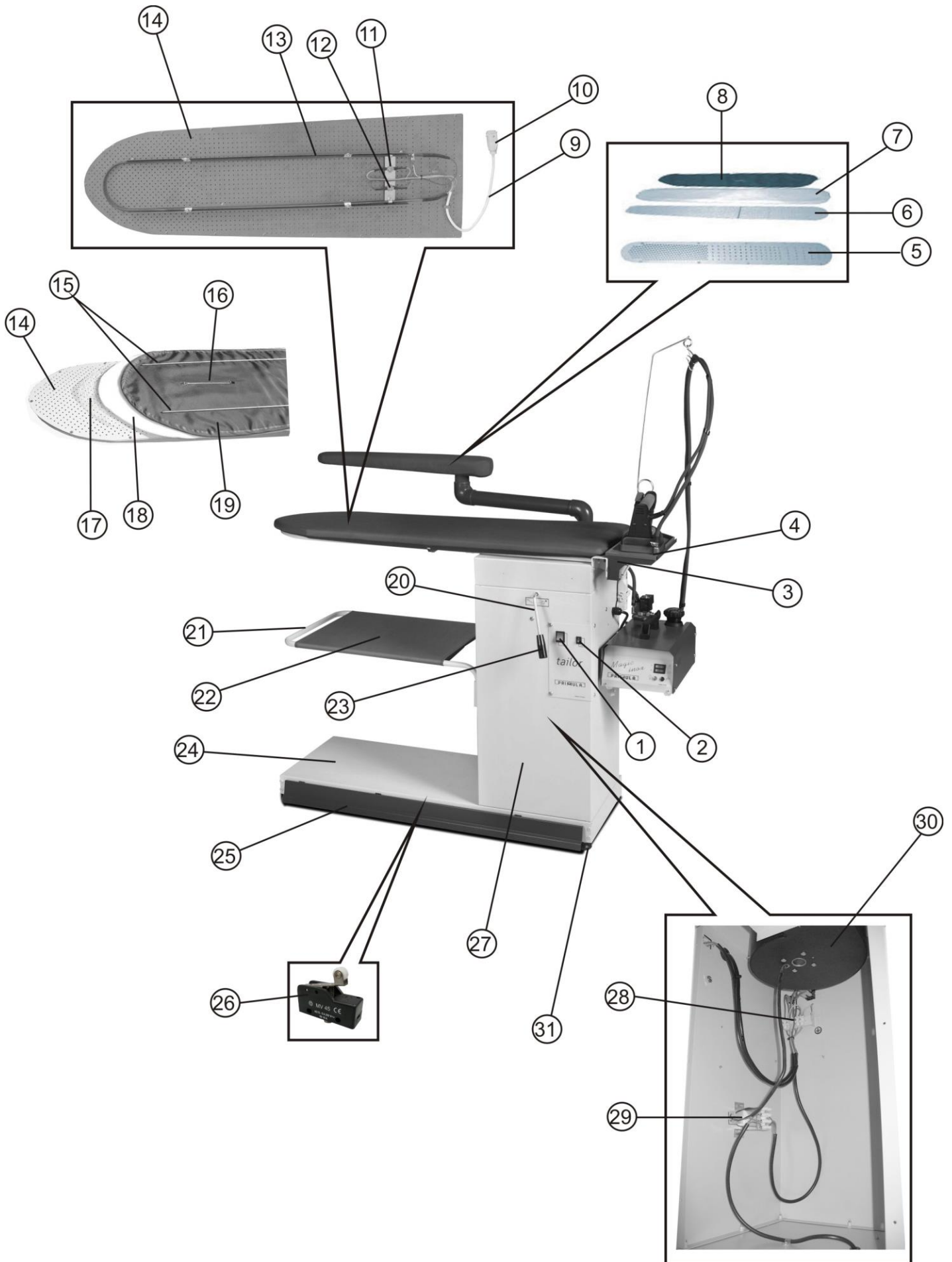
- Push with the foot pedal.
- Pull up the lever **No 03 (see the picture 2 on page 6)**.
- Keep your foot on the pedal. Since you do not push the foot pedal, the function reverts to the suction.

8. Maintenance

- *Make sure that the covers of the table and the ironing buck remain clean, in order to have high performance of suction and blowing air. Wash periodically the blue polyester fabric and the foam blue in the washing machine (30-40 °C). In case you use felt molleton instead of blue foam, do not wash it in the washing machine, but wash it by hand. Replace them regularly, in order to keep high suction and blowing performance.*
- *Clean the dust of the fan wheel/impeller at least 2-3 times per year.*
- *Clean periodically and grease the arm's as well as the buck's bearings.*
- *Clean periodically the internal parts of the table as well as the electronic circuit by using compressed air.*
- *Keep the machine clean.*

CAUTION!

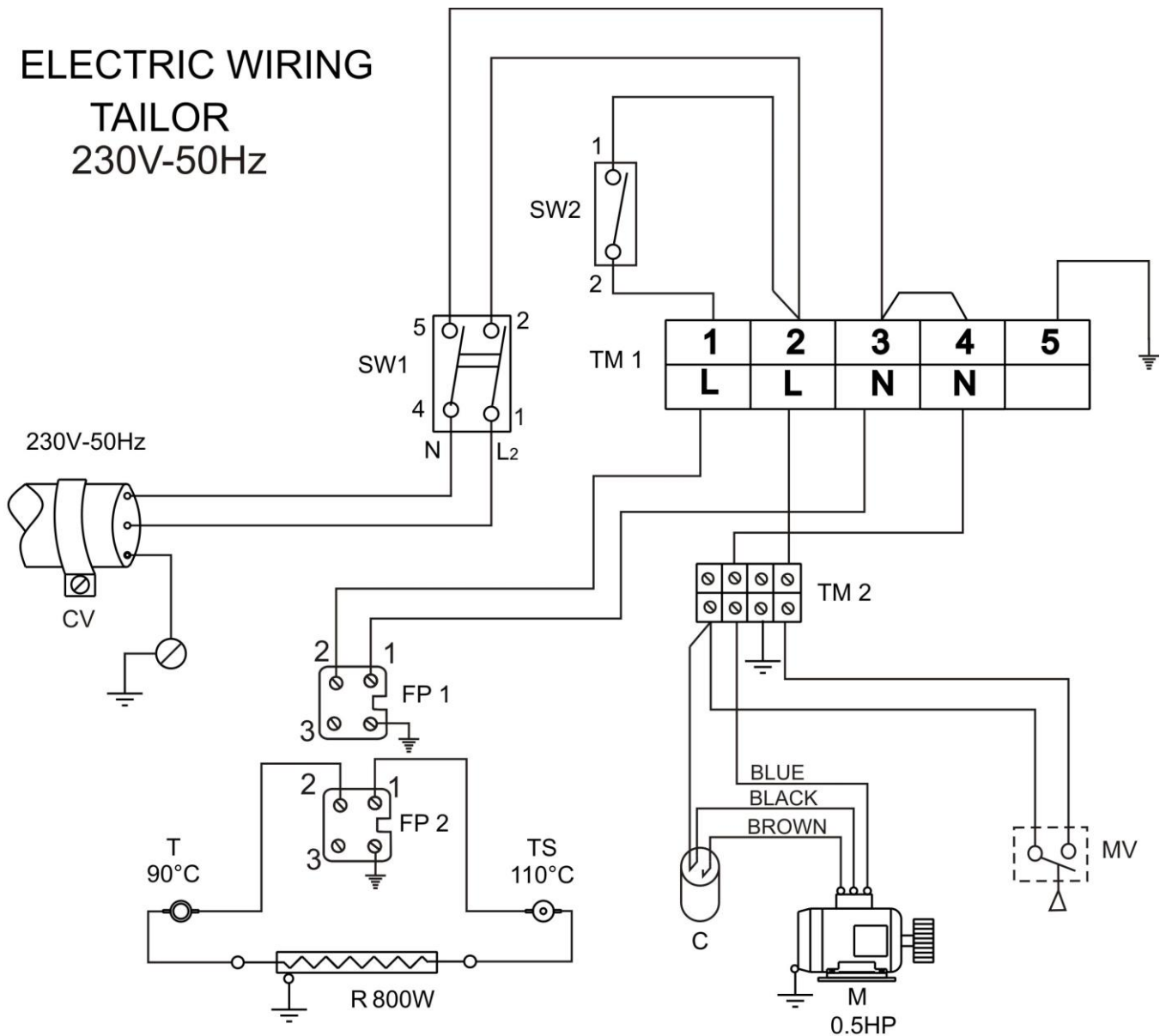
Before doing maintenance work, please disconnect the machine from the electrical power supply.



TAILOR DOB, TAILOR FL- Spare parts list

	Article nr.	Description
1	308-00-006	Switch ON-OFF 16A
2	302-22-054	Buck's switch ON-OFF
3	192-38-003	Metallic Iron Rest
4	107-01-002	Silicon iron rest
5	304-01-036	Perforated plate F1
6	304-01-037	Wire mesh F1
7	304-01-038	Felt molletone F1
8	304-01-040	Fabric cover F1
9	302-38-009	Cable for heating element
10	306-03-011	4-pole safety plug
11	302-38-011	Safety thermostat 110°C
12	302-38-012	Thermostat 90°C
13	302-38-013	Heating element 800W 230V
14	192-38-014 192-38-014-1	Perforated plate for TAILOR DOB Perforated plate for TAILOR FL
15	302-01-032	Cover's rail
16	302-01-035	Spring with clips
17	302-26-015 302-38-017	Wire mesh for TAILOR DOB Wire mesh for TAILOR FL
18	302-01-031 302-38-007	Felt molletone for TAILOR DOB Felt molletone for TAILOR FL
19	302-38-019 302-38-006	Fabric cover for TAILOR DOB Fabric cover for TAILOR FL
20	102-38-009	Blowing system
21	192-38-021	Spill tray
22	302-38-022	Fabric cover for spill tray
23	305-01-009	Handle of blowing operating lever
24	192-38-024	Foot pedal base
25	192-38-025	Vacuum's foot pedal
26	302-26-026	Vacuum button pedal MV45
27	192-38-027	Ironing table base
28	302-38-028	Terminal block
29	302-38-029	Capacitor of motor Tailor
30	302-26-043	Motor 0.27HP TAILOR
31	302-02-014	Regulator Alignment adjusting leg

ELECTRIC WIRING TAILOR 230V-50Hz



Symbol	Code	Description
SW1	308-00-006	Main switch 16A
SW2	302-22-054	Heating switch ON-OFF
CV	302-26-005	Power feeding cable 3 X 1.5mm
MV	302-26-026	Vacuum pedal switch
FP 1	303-03-021	4-poles socket for heating connection
FP 2	306-03-011	4-poles plug for heating connection
TM 1	302-38-028	Main wires terminal block
TM 2	302-38-028	Motor wires terminal block
T	302-38-012	Thermostat 90°C
TS	302-38-011	Safety thermostat 110°C
R	302-38-013	Heating element 800W 230V
M	302-26-043	Vacuum motor 0.27HP/230V-1N-50Hz
C	302-38-029	Capacitor for motor

TECHNICAL ASSISTANCE

For any advice about the operation of the machine or the spare parts, please contact the dealer you have purchased the machine from or us directly at:



14th km Thessaloniki – Kilkis, 57200 Liti, Thessaloniki, Greece

Tel.: +30 23940 71 215 Fax: +30 23940 71 438

E-mail: info@primula.gr

***All specifications have been made to the best of our knowledge.
Primula S.A preserves the right to make changes to the system and its parts without prior notice.***